

Overview

HPE Standard Analog KVM

The ATEN G2 Standard Series Analog KVM Switch for HPE offers a cost-effective solution for consolidated server access, management, and control in desktop and rack-mount environments. Target device selection is easy with 3 options: port selection through push-buttons on the switch, hotkey combinations from the keyboard, or a menu-driven on-screen display. This switch easily connects servers with KVM consoles such as the HPE LCD8500 1U Rackmount Console kit, or with other external monitor, keyboard, and mouse configurations.

The ATEN G2 switch combines multi-platform OS support with a selection of models featuring 4, 8, or 16 ports. This switch features two-level password security for authorized users to view and control connected devices, while allowing creation of up to 4 user profiles and an administrator profile. All ATEN G2 KVM Switch models are backed by HPE Foundation Care extensions, which match the server's warranty and service levels at no additional cost.



HPE Standard Analog KVM

Why buy an ATEN switch from HPE?

- While you have many choices for rack and power infrastructure products, HPE offers an extensive range of rack, PDU, UPS and KVM products that can be integrated into your rack-based IT solutions through HPE Factory Integration Services
- HPE rack and power infrastructure products are tested and certified for specific use with HPE servers and storage, and backed by an HPE warranty
- HPE Pointnext operational services purchased for servers and storage extend to our rack and power infrastructure products such as racks, power distribution units, uninterruptible power systems, and KVM console switches at no additional cost

Overview

Models

ATEN G2 Analog KVM Switches for HPE Servers

ATEN CS1304 G2 0x1x4 Analog KVM Switch for HPE Servers

Q1F44A

ATEN CS1308 G2 0x1x8 Analog KVM Switch for HPE Servers

Q1F45A

ATEN CS1316 G2 0x1x16 Analog KVM Switch for HPE Servers

Q1F46A

What's in the box

Each ATEN G2 Analog KVM Switch for HPE ships with the following items:

- (1) KVM Analog Console Switch
 - (1) Console cable
 - (1) Firmware upgrade cable
 - (1) foot pad sets (4 pads)
 - (4) M6 screws
 - (4) M6 screw nuts
 - (5) Zip ties
 - (1) Power adapter
 - (1) C13 to C14 power cable
 - (1) Rack-mounting hardware kit
 - (1) User instruction
-

Overview

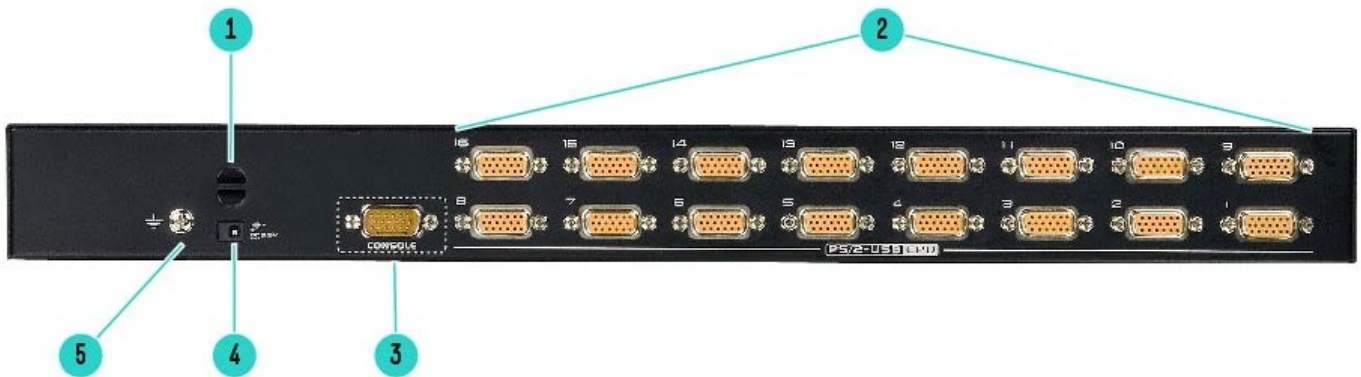


HPE Standard Analog KVM – Front View

- | | |
|--|-------------------------------------|
| 1. Port LEDs (4, 8, or 16 LEDs depending on model) | 4. Power LED |
| 2. Reset Button | 5. Firmware upgrade recovery switch |
| 3. Firmware upgrade port (RJ-11 female) | |

NOTE: This is a photo of the 16 port switch, CS1316. CS1304, CS1308, CS1316 share the same layout. The only differences are CS1304 has 4 KVM ports / LEDs; while CS1308 has 8 KVM ports / LEDs and CS1316 has 16 KVM ports / LEDs

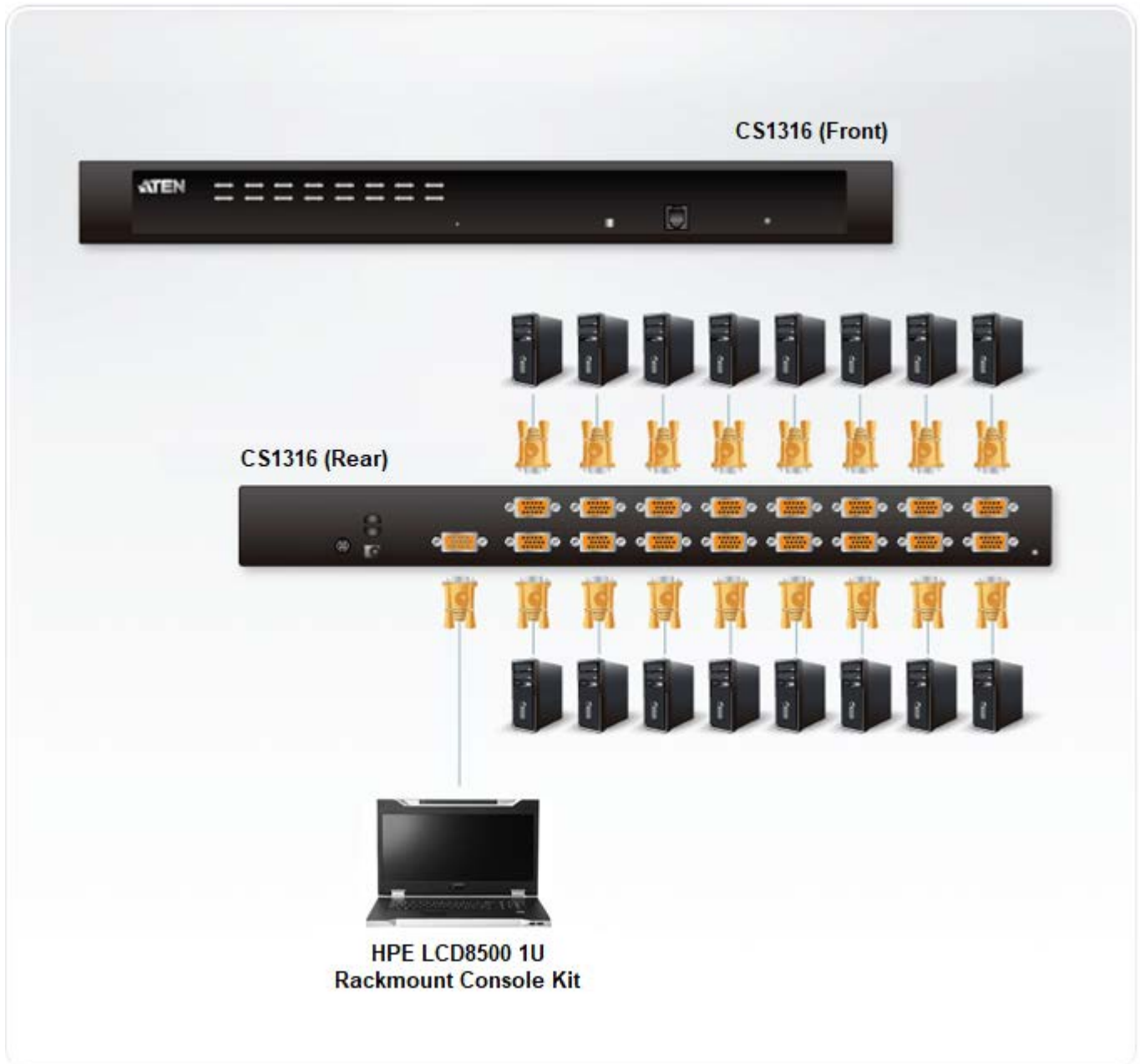
HPE Standard Analog KVM – Rear View



- | | |
|--|--|
| 1. Cable tie slot | |
| 2. Server ports (SPHD-15 female): 4, 8, or 16 ports depending on model | |
| 3. KVM Console port (SPHD-18 male) | |
| 4. Power jack | |
| 5. Grounding terminal | |

NOTE: This is a photo of the 16 port switch, CS1316. CS1304, CS1308, CS1316 share the same layout. The only differences are CS1304 has 4 KVM ports / LEDs; while CS1308 has 8 KVM ports / LEDs and CS1316 has 16 KVM ports / LEDs

Overview



Connecting servers to the KVM Switch Diagram

NOTE: Servers or other target computers with VGA or DisplayPort outputs for video, and USB outputs for mouse/keyboard can be connected to one of the SPHD-15 Server Ports (4, 8, or 16 depending on switch model) with an SPHD to VGA/USB or SPHD to DisplayPort/USB cable.

NOTE: KVM consoles such as HPE LCD8500 1U Rackmount Console kit or a traditional monitor/keyboard/mouse can be connected to the switch's KVM Console port (SPHD-18) with the included console cable.

NOTE: See Related Options section for cable SKU numbers

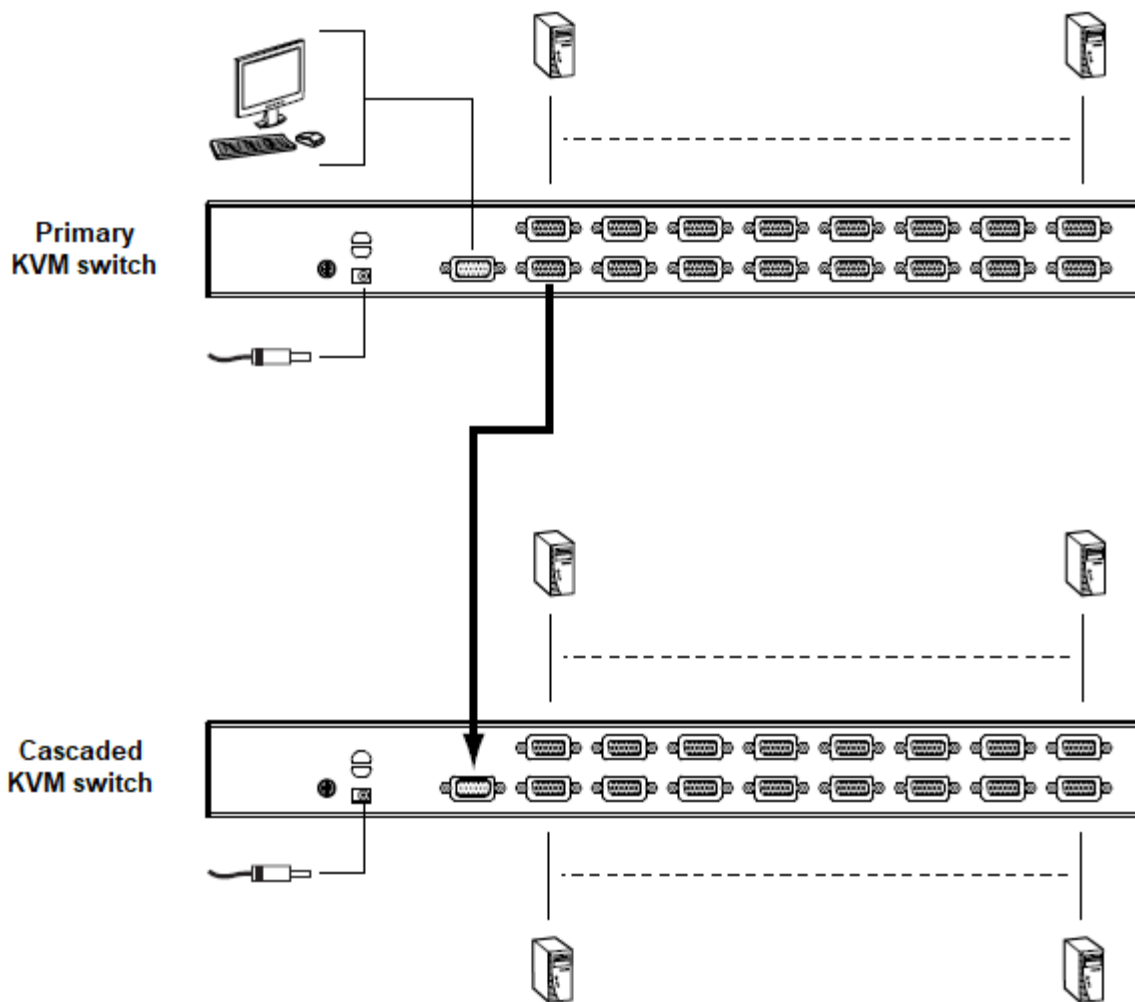
Overview

Using HPE KVM Analog Switch in a Tiered Configuration

To control even more computers, additional switches can be cascaded from the primary HPE Analog KVM Switch. For the 16 port version, up to 16 additional switches can be cascaded, supporting control of up to 256 computers from a single primary console in a completed installation.

The connection from the primary KVM switch Console Port to the cascaded KVM switch can be accomplished with the **Console Cable** (included with every switch) plus an **ATEN 2L-5202U VGA/USB to SPHD-15 1.8m Interface Cable (Q5T68A)**.

The below diagram shows a CS1316 cascade diagram with a single KVM switch on layer 2, a configuration which supports 31 PCs (15 PCs connected to primary KVM switch, and an additional 16 PCs connected to the second "cascaded" KVM switch, for a total of 31 connected PCs). Please refer to the user manual for more details.



KVM Analog Switch Tiered Configuration Diagram

Standard Features

HPE Standard Analog KVM switches are suitable for installation in most IT environments

- Attachable foot pads are included for deployment of the switch in desktop environments
 - Mounting hardware is included for easy installation into HPE G2 Advanced and Enterprise Racks
 - Qualified for integration into HPE racks using HPE Factory Integration Services
-

Easy Access and Control: HPE Standard Analog KVM Switches support three different methods to select your target device

- Front side push-button selection with LED indicators allow for direct selection of the target device
 - Keyboard hot-key support allows target device selection when the switch is inaccessible inside the rack
 - A menu-driven multi-lingual OSD (On Screen Display) feature allows for target device selection through a graphical interface on the connected monitor or KVM console
-

HPE Standard Analog KVM switches allow users to access up to 256 servers through a single KVM installation

- Select from 4, 8, and 16 port models to support up to 16, 64, and 256 devices respectively through 2 level tiering/cascade technology
 - Switch connectivity to individual servers is supported through interface adapter cable options that support servers using USB with both VGA and Display Port video connections
-

Strong Security: HPE Standard Analog KVM Switches provide security features to prevent unauthorized users

- Features two level password security so only authorized users view and control connected devices
 - Supports up to 4 separate user profiles and an administrator profile
-

Features and Benefits

- **4, 8, or 16 ports:** Capable of supporting a range of different IT environments
 - **Support for cascading up to 2 levels** – allowing for expansion and control of up to 256 computers (with 16 port models)
 - **Multiplatform support** - Windows, Linux, Mac, and others to support a range of OS environments
 - **Video DynaSync™** - Exclusive ATEN technology eliminates boot-up display problems and optimizes resolution when switching between ports
 - **Auto USB interface detection** - Simplifies setup by automatically detecting connected input devices
 - **USB keyboard and mouse emulation** - computers boot even when the console focus is elsewhere
 - **Superior resolution**- up to 2048 x 1536; DDC2B for superior video quality
 - **Front panel pushbuttons, hotkeys and multilingual on-screen display (OSD) menu** for easy target device selection
 - **Two level password security** - only authorized users view and control computers; up to four users and an administrator with a separate profile for each
 - **Auto Scan feature** monitors server ports and detects device status automatically
 - **Hot pluggable server ports** - add or remove computers without having to power down the switch
 - **Audible system alerts**- turned on and off via hotkey and OSD
 - **Firmware upgradeable** – to support periodic maintenance and upgrades
 - **No software installation required** – simplified setup
 - **Designed for desktop or rack mount (19" system rack, 1U)** – for more versatile use
-

Standard Features

Operating System Support		
Operating System:		Version:
Windows		2000 and higher
Windows Server		2008 R2, 2012 R2, 2019
Linux	Red Hat	7.1 and higher
	RHEL	7.6
	SLES	12 SP3
	SuSE	8.2 and higher
	Mandriva (Mandrake)	9.0 and higher
	ESXi	6.7
UNIX	AIX	4.3 and higher
	FreeBSD	4.2 and higher
	Sun Solaris	Solaris 11.3
Novell	Netware	5.0 and higher
Mac		OS 9 and higher
Ubuntu		16.04
CentOS		7
OpenSUSE		13.2

Service and Support

Warranty

When you need it, use outstanding HPE support services for your whole data center environment. With HPE Pointnext operational services, have the security of knowing that your KVM Switch will be covered at the same service level and coverage period as your HPE server. ATEN G2 Analog KVM Switches are backed by a 3-year warranty, which covers depot repair of the switch, or direct replacement of the switch.

Service and Support

HPE Technology Services

HPE Technology Services offers you consultants and support experts to solve your most complex infrastructure problems. We help keep your business running, boost availability and avoid downtime.

Protect your business beyond warranty with HPE Pointnext operational services

When you buy HPE Options, it's also a good time to think about what level of service you may need. HPE Pointnext operational services provide total care and support expertise with committed response choices designed to meet your IT and business need.

For ProLiant servers and storage systems, this service covers HPE-branded hardware options qualified for the server, purchased at the same time or afterward, internal to the enclosure, also including PDU, ITAC, and UPS products (less than 12 kVA). These items will be covered at the same service level and for the same coverage period as the server unless the maximum supported lifetime and/or the maximum usage limitation has been exceeded. Coverage of the UPS battery is not included; standard warranty terms and conditions apply.

For more information

To learn more on services for HPE Options, please contact your Hewlett Packard Enterprise sales representative or Hewlett Packard Enterprise Authorized Channel Partner. Or visit: <https://www.hpe.com/us/en/support.html> or <https://www.hpe.com/us/en/services/operational.html>

Related Options

Related Options:

Server to switch interface cable

ATEN 2L-5202U VGA/USB to SPHD-15 1.8m 1-pack Interface Cable Q5T68A

NOTE: Primary interface cable to connect server port on switch to the VGA and USB outputs on a target server/device

ATEN 2L-5202U4 VGA/USB to SPHD-15 1.8m 4-pack Interface Cable Q5T69A

NOTE: 4 pack of the primary interface cable to connect server port on switch to the VGA and USB outputs on a target server/device

ATEN CV190 DisplayPort/USB to SPHD-15 1.8m 1-pack Interface Cable Q5T70A

NOTE: primary interface cable to connect server port on switch to the DisplayPort and USB outputs on a target server/device

LCD KVM Console

HPE LCD 8500 1U Console US Kit AF630A

HPE LCD 8500 1U Console UK Kit AF631A

HPE LCD 8500 1U Console DE Kit AF632A

HPE LCD 8500 1U Console FR Kit AF633A

HPE LCD 8500 1U Console JP Kit AF642A

HPE LCD 8500 1U Console RU Kit AF643A

HPE LCD 8500 1U Console INTL Kit AF644A

HPE LCD 8500 1U Console US TAA Kit AF645A

IEC locking jumper cords

HPE C13 - C14 WW 250V 10Amp 0.7m Black Locking Power Cord Q0P67A

HPE C13 - C14 WW 250V 10Amp 1.4m Black Locking Power Cord Q0P68A

HPE C13 - C14 WW 250V 10Amp 2m Black Locking Power Cord Q0P69A

HPE C13 - C14 WW 250V 10Amp 3m Black Locking Power Cord Q0P70A

NOTE: These are single pack cables

HPE C13 - C14 WW 250V 10Amp 0.7m Black 6-pack Locking Power Cord Q0Q02A

HPE C13 - C14 WW 250V 10Amp 1.4m Black 6-pack Locking Power Cord Q0Q03A

HPE C13 - C14 WW 250V 10Amp 2m Black 6-pack Locking Power Cord Q0Q04A

HPE C13 - C14 WW 250V 10Amp 3m Black 6-pack Locking Power Cord Q0Q05A

NOTE: These are 6 – packs of cables

HPE Foundation Care

HPE Install Rack and Rack Options Service U2871E

Technical Specifications

Function		CS1304	CS1308	CS1316	
Computer Connections		4	8	16	
Port selection		Multi-lingual On Screen Display (OSD), Hot-key, Push-button			
Connectors	Console Port	Keyboard	1 x SPHD-18 Male (Yellow)		
		Video			
		Mouse			
	KVM Ports	Keyboard	4 x SPHD-15 Female (Yellow)	8 x SPHD-15 Female (Yellow)	16 x SPHD-15 Female (Yellow)
		Video			
		Mouse			
F/W Upgrade		1 x RJ-11 Female (Black)			
Power		1 x DC Jack			
Push-buttons	Port selection	4	8	16	
Firmware upgrade recovery switch		Left for Normal operation, right for Recover operation			
LEDs	On Line	4 (Orange)	8 (Orange)	16 (Orange)	
	Selected	4 (Green)	8 (Green)	16 (Green)	
	Power	1 (Dark Green)			
Emulation	Keyboard/Mouse	USB			
Video		Maximum resolution of 2048 x 1536; DDC2B			
Scan Interval		1 to 255 Seconds			
Power Consumption		DC 5.3 V; 5 W	DC 5.3 V; 5 W	DC 5.3 V; 6.6 W	
Environment	Operating Temperature	0–50°C			
	Storage Temperature	-20–60°C			
	Humidity	0–80% RH, Non-condensing			
Physical Properties	Housing	Metal			
	Weight	(4.16 lbs) 1.89 kg	(4.16 lbs) 1.89 kg	(4.63 lbs) 2.10 kg	
	Dimensions (L x W x H)	43.72 x 16.13 x 4.40 cm	43.72 x 16.13 x 4.40 cm	43.72 x 16.13 x 4.40 cm	
		1.73 x 17.21 x 6.35 in	1.73 x 17.21 x 6.35 in	1.73 x 17.21 x 6.35 in	

Environment-friendly Products and Approach - End-of-life Management and Recycling

Hewlett Packard Enterprise offers end-of-life **product return, trade-in, and recycling programs**, in many geographic areas, for our products. Products returned to Hewlett Packard Enterprise will be recycled, recovered or disposed of in a responsible manner. The EU WEEE Directive (2012/19/EU) requires manufacturers to provide treatment information for each product type for use by treatment facilities. This information (product disassembly instructions) is posted on the **Hewlett Packard Enterprise web site**. These instructions may be used by recyclers and other WEEE treatment facilities as well as Hewlett Packard Enterprise OEM customers who integrate and re-sell Hewlett Packard Enterprise equipment.

Summary of Changes

Date	Version History	Action	Description of Change
02-Dec-2019	Version 1	New	New QuickSpecs



[Sign up for updates](#)



**Hewlett Packard
Enterprise**

© Copyright 2019 Hewlett Packard Enterprise Development LP. The information contained herein is subject to change without notice. The only warranties for Hewlett Packard Enterprise products and services are set forth in the express warranty statements accompanying such products and services. Nothing herein should be construed as constituting an additional warranty. Hewlett Packard Enterprise shall not be liable for technical or editorial errors or omissions contained herein.

a00073556enw - 16504 - Worldwide - V1 - 02-December-2019