



Tripod Pro Series

The Elite Tripod Pro Series screen has a velvet velour coating around the entire screen's housing. This added feature benefits ProAV / Rental & Staging applications.
www.elitescreens.com/tripodpro



Member

Tripod Pro Series



The Elite Tripod Pro Series screen has a velvet velour coating around the entire screen's housing. This added feature benefits ProAV / Rental & Staging applications.



- Ideal for ProAV / Rental & Staging applications
- Standard built-in keystone eliminator
- Heavy-duty case with velvet velour withstands daily usage
- Auto-locking mechanism controls height adjustment
- Built-in carrying handle for easy transportation
- Rugged construction withstands the rigors of daily usage
- Simple screen adjustment for various height settings
- Complimentary 4-side black masking borders
- MaxWhite 1.1 Gain screen material is durable for every day applications and easy to clean
- 160 degree wide viewing angle for multi-purpose applications
- Available in 1:1 format in diagonal sizes 85", 99", 113" and 119"
- Optional fabric carrying bag available



Tripod Pro Series: Tripod/Portable (1:1) Pull Up Projector Screen Pro Series for Commercial and Rental Applications

Model	Nominal Diagonal	View Height (in)	View Width (in)	View Height (cm)	View Width (cm)	Net Weight (lbs)	Gross Weight (lbs)	Net Weight (kgs)	Gross Weight (kgs)	Packaging Dimension (LxHxW)	Gain	Screen Material	Case Color
T85UWS1-Pro	85"(1:1)	60.0	60.0	152.4	152.4	14.6	17.4	6.6	7.9	70"x4.7"x7"	1.1	MaxWhite	Black
T99UWS1-Pro	99"(1:1)	70.0	70.0	177.8	177.8	16.3	19.8	7.4	9.0	80"x4.7"x7"	1.1	MaxWhite	Black
T113UWS1-Pro	113"(1:1)	80.0	80.0	203.2	203.2	20.1	23.8	9.1	10.8	90"x4.7"x7"	1.1	MaxWhite	Black
T119UWS1-Pro	119"(1:1)	84.0	84.0	213.4	213.4	21.4	24.9	9.7	11.3	94"x4.7"x7"	1.1	MaxWhite	Black

Tripod Pro Series Dimension Table

Model	Screen Diag. & Aspect Ratio	View Size H x W	Screen Size H x W (A)	Top of Screen at highest level (B1)	Top of Screen at lowest level (B2)	Screen case height at height point (C1)	Screen Case height at lowest point (C2)	End Cap Size (D)	Case Length Closed (D2)	Case Width Closed (D3)
T85UWS1-Pro	85"(1:1)	1527x1527	1600x1600	2700	2177	953	430	69	1726	150
T99UWS1-Pro	99"(1:1)	1778x1778	1854x1854	2900	2428	902	430	69	1980	150
T113UWS1-Pro	113"(1:1)	2030x2030	2108x2108	3100	2682	848	430	69	2234	150
T119UWS1-Pro	119"(1:1)	2134x2134	2209x2209	3300	2787	943	430	69	2335	150

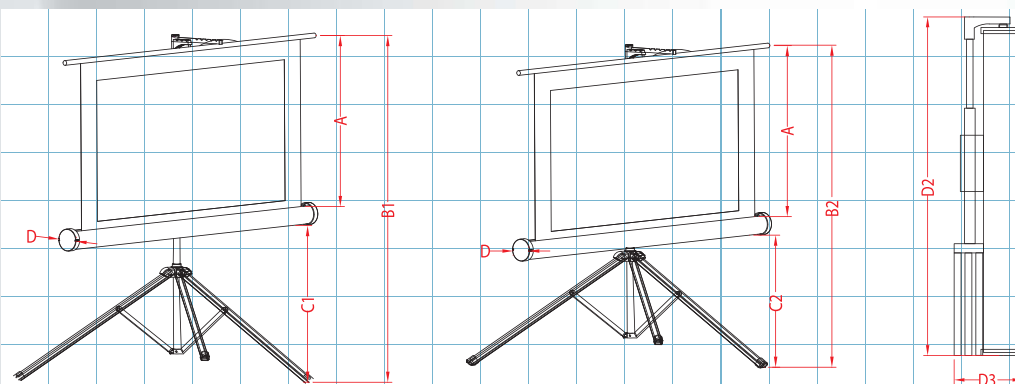
Unit: mm

Can't find size and ratio you're looking for? Visit elitescreens.com/csr to create your own

Model	Screen Diag. & Aspect Ratio	View Size H x W	Screen Size H x W (A)	Top of Screen at highest level (B1)	Top of Screen at lowest level (B2)	Screen case height at height point (C1)	Screen Case height at lowest point (C2)	End Cap Size (D)	Case Length Closed (D2)	Case Width Closed (D3)
T85UWS1-Pro	85"(1:1)	60x60	63x63	106.3	85.7	37.5	16.9	2.7	68.0	5.9
T99UWS1-Pro	99"(1:1)	70x70	73x73	114.2	95.6	35.5	16.9	2.7	78.0	5.9
T113UWS1-Pro	113"(1:1)	80x80	83x83	122.0	105.6	33.4	16.9	2.7	88.0	5.9
T119UWS1-Pro	119"(1:1)	84x84	87x87	129.9	109.7	37.1	16.9	2.7	91.9	5.9

Unit: inch

Can't find size and ratio you're looking for? Visit elitescreens.com/csr to create your own



Note: Data Error ±1". The listed measurements are for general reference only. Please contact Elite Screens to verify product design and dimensions before attempting to integrate its products with any structural or furniture modification. Although a manufacturer may offer product advice, it may be taken or disregarded at the integrator's discretion. Elite Screens will not be held responsible or be otherwise liable for faulty installations.