



Quad display freestanding desk mount

The Visidec VFS-Q Quad freestanding desk mount is an ideal solution for any multi monitor application. Being able to mount four screens in 2 rows with such versatility of movement creates a superior workspace for optimum productivity. All 4 monitors can be independently and infinitely adjusted up to 20° in any direction, and provides landscape to portrait rotation. The unique QuickShift™ lever provides independent height adjustment without the need for a single tool. An elegant design with a footprint so small, at just 422mm x 305mm, leaving your desk clear of clutter with the flexibility to be located anywhere on the desk.



VESA mounting hole pattern

75x75mm, 100x100mm
Also supports 200x100mm via additional adaptor plate AC-AP-2010 (sold separately)



Maximum weight carrying capacity

12kgs (26.5lbs) per display



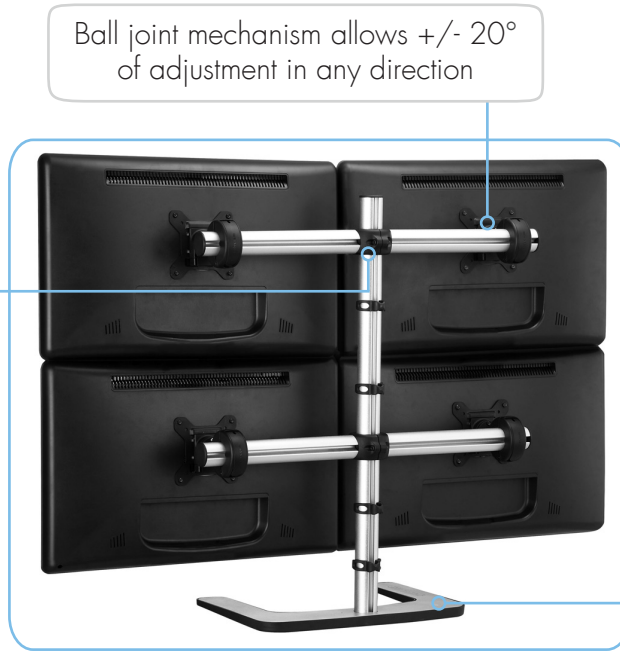
Key features:

- ✘ Suitable for displays up to 27" in size
- ✘ Improves ergonomics of any work place
- ✘ Freestanding unit, can be placed anywhere and moved around easily
- ✘ All four monitors can be adjusted independently using the QuickShift™ mechanism



Ball joint mechanism allows +/- 20° of adjustment in any direction

Height adjustable

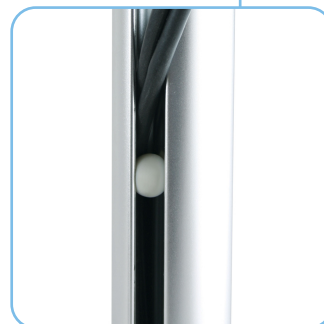
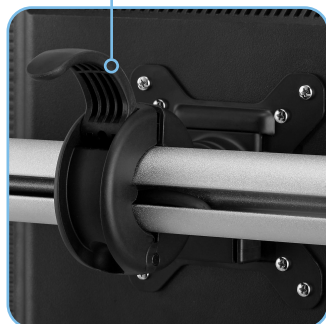
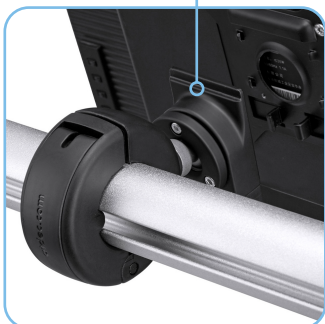


Small foot print

Quick Release Mechanism for easy display attachment/removal

Easy horizontal adjustment via QuickShift™ lever

Advanced cable management



Atdec Global www.atdec.com.au
Atdec North America www.atdec.com

Product information, single unit

Product Code	Load capacity	Material	Color
VFS-Q	12kg (26.5lbs) per display	Steel, Aluminium and Plastic	Silver

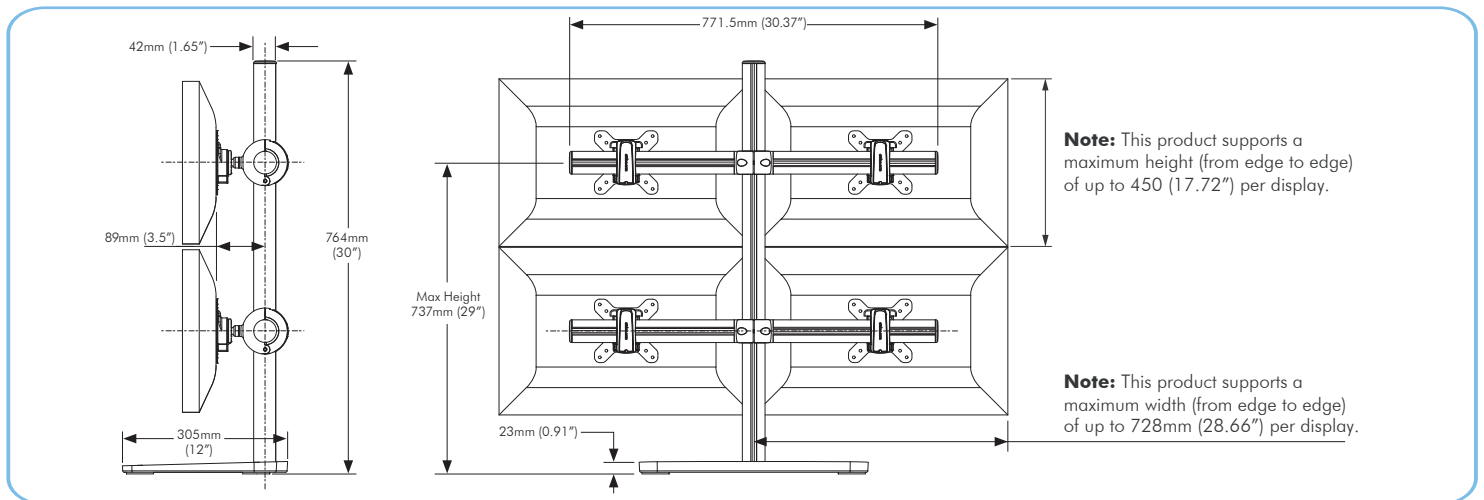
Package information, single unit

Size	Ship weight	UPC code	Contents
81.7cm x 37.5cm x 10.8cm (32.2" x 14.8" x 4.3")	9kg (19.4lbs)	881493005136	Stand, mounting heads (x4), security screws (x4) & display mounting hardware

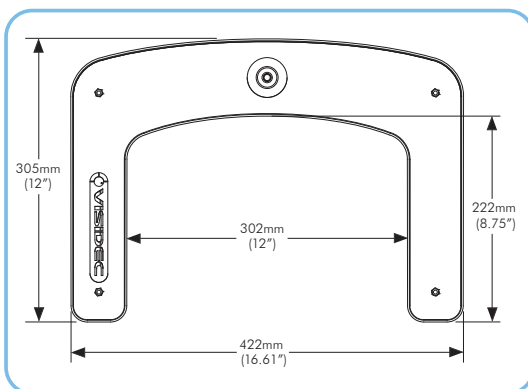
Package information, master pack

Size	Ship weight	UPC	Units per master pack
82.7cm x 38.7cm x 22.5cm (32.5" x 16" x 9")	18.25kg (40.6lbs)	881493005181	2

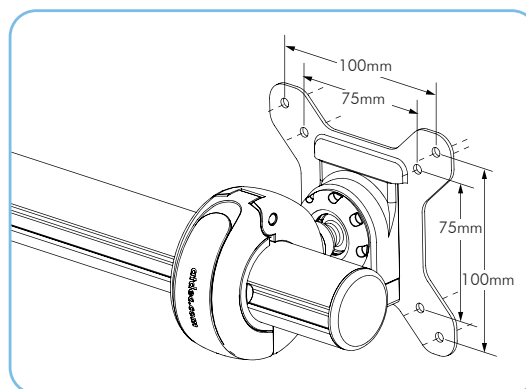
Technical drawings



Base Dimensions



Included VESA attachment



Atdec mounts are designed, developed and tested in Australia. While all efforts have been made to ensure the information in this brochure was correct as of the date of printing, we reserve the right to change specifications without notice. Please refer to the website for our full range along with the latest details on specifications, compatibility and dealer location. Atdec and Visidec are registered trademarks with all rights reserved. Copyright December 2014.



Atdec Global www.atdec.com.au
Atdec North America www.atdec.com