



Flat screen wall mount | full motion TH-1040-VFM

Fits most displays from 17" to 40"



Mounting hole pattern:
75mm x 75mm
100mm x 100mm
200mm x 100mm
200mm x 200mm



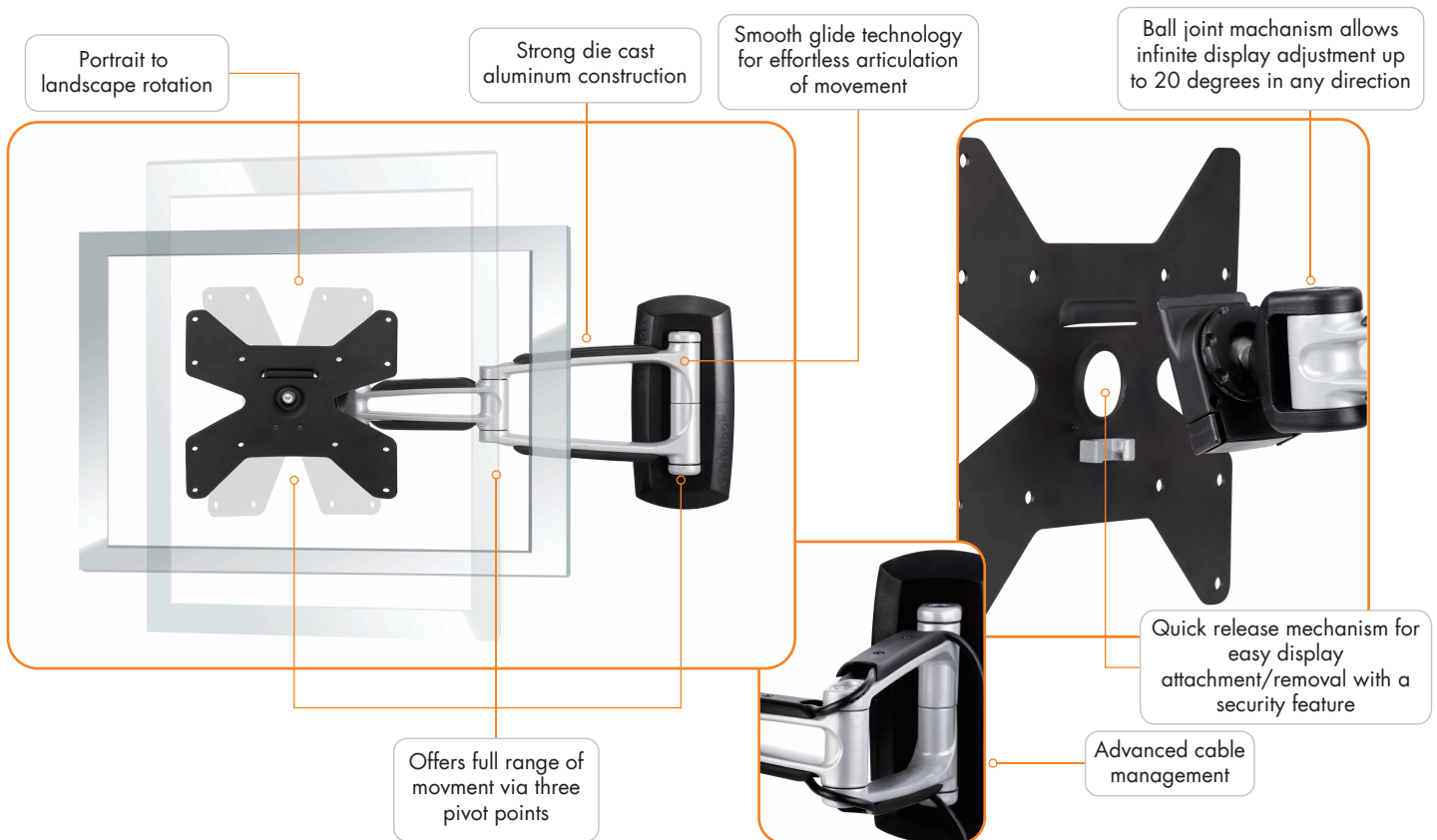
Maximum weight carrying capacity:
25kg (55lbs)

The TH-1040-VFM offers sophisticated technology alongside superior aesthetics. Made from die cast aluminium, this mount has three pivot points and a ball joint mechanism to give you infinite adjustment and complete control over tilt, pan, and portrait to landscape rotation. Telehook's Smooth Glide™ thrust bearing technology allows the display to be moved smoothly and effortlessly, even with a heavy display. This mount comes pre-assembled for quick and easy installation, with advanced cable management to give you a professional finish. The quick attachment/quick release mechanism allows you to install and detach your display in seconds.



Product key features:

- Contemporary design
- Offers a full range of motion for any viewing angle
- Comes pre-assembled for quick and easy installation
- Infinite display adjustment of 20° in any direction
- Portrait to landscape rotation
- Maximum distance from wall: 444mm (17.5")
- Minimum distance from wall: 102mm (4")
- Quick attachment/quick release mechanism with security features
- Advanced cable management
- Comes with all mounting hardware for masonry and timber stud installation



Atdec North America www.atdec.com
Atdec Global www.atdec.com.au

Product information, single unit

| Load capacity | Material | Color |
|---------------|----------------|-------------------|
| 25kg (55lbs) | Steel/Aluminum | Silver with Black |

Package information, single unit

| Size | Ship weight | UPC code | Contents |
|--|----------------|--------------|---|
| 32mm x 26.5mm x 15mm (12.5" x 10.5" x 6") | 3.2kg (7.2lbs) | 881493004702 | All hardware required for installation supplied |

Package information, master pack

| Size | Ship weight | UPC | Units per master pack |
|--|----------------|--------------|-----------------------|
| 64mm x 35mm x 29mm (13.5" x 11.25" x 25") | 14kg (30.2lbs) | 881493004719 | 4 |

Technical drawings

